



Image may differ from product. See technical specification for details.

BS2-2207-2RS/VT143

Spherical roller bearing with integral sealing and relubrication features

Spherical roller bearings can accommodate heavy loads in both directions. They are self-aligning and accommodate misalignment and shaft deflections, with virtually no increase in friction or temperature. Under normal operating conditions, sealed bearings are almost maintenance-free, keeping service costs and grease consumption low. The design includes features to facilitate relubrication.

- Accommodate misalignment
- High load carrying capacity
- Sealed for increased reliability, with relubrication features
- Low friction and long service life
- Increased wear resistance

Overview

Dimensions

Bore diameter	35 mm
Outside diameter	72 mm
Width	28 mm

Properties

Number of rows	2
Locating feature, bearing outer ring	Without
Bore type	Cylindrical
Cage	Sheet metal
Radial internal clearance	CN
Tolerance class	Normal
Tolerance class for dimensions	Normal
Tolerance class for run-out	P5
Sealing	Seal on both sides
Sealing type	Contact
Lubricant	Grease
Relubrication feature	With

Performance

Basic dynamic load rating	88.8 kN
Basic static load rating	83 kN
Limiting speed	4 400 r/min
SKF performance class	SKF Explorer

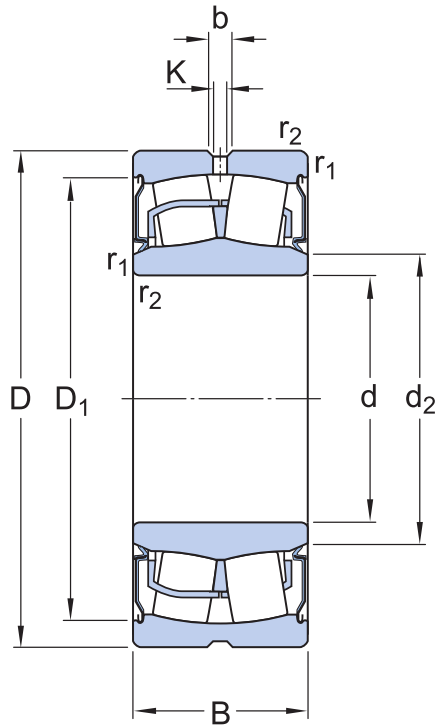
Logistics

Product net weight	0.5 kg
eClass code	23-05-09-11
UNSPSC code	31171510

Technical specification

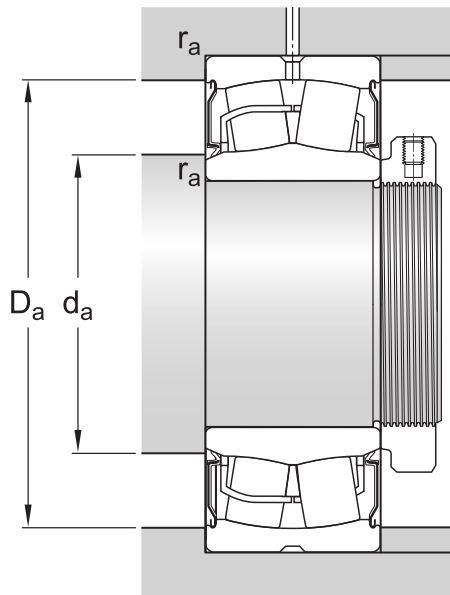
Bore type

Cylindrical



Dimensions

d	35 mm	Bore diameter
D	72 mm	Outside diameter
B	28 mm	Width
d ₂	≈ 42.4 mm	Shoulder diameter of inner ring
D ₁	≈ 65.3 mm	Shoulder/recess diameter of outer ring
b	4.4 mm	Width of lubrication groove
K	2 mm	Diameter of lubrication hole
r _{1,2}	min. 1.1 mm	Chamfer dimension



Abutment dimensions

d _a	min. 41.8 mm	Diameter of shaft abutment
d _a	max. 42 mm	Diameter of shaft abutment
D _a	max. 65 mm	Diameter of housing abutment
r _a	max. 1 mm	Radius of fillet

Calculation data

SKF performance class	SKF Explorer	
Basic dynamic load rating	C	88.8 kN
Basic static load rating	C ₀	83 kN
Fatigue load limit	P _u	9.15 kN
Limiting speed	4 400 r/min	

Limiting value	e	0.31
Calculation factor	Y ₁	2.2
Calculation factor	Y ₂	3.3
Calculation factor	Y ₀	2.2

Mass

Mass	0.52 kg
------	---------

Tolerance class

Dimensional tolerances	Normal
Radial run-out	P5